



Copyright © 2012 pergolaplans4free.co.uk. All rights reserved.

This publication is protected under the UK Copyright, Designs and Patents Act 1988. You may print part, or all, of this document for your own personal use. Any unauthorised copying or distribution, whether commercial or non-commercial, unless permission is sought from the author, will constitute an infringement of copyright law.

Although the author and publisher have made every reasonable attempt to achieve complete accuracy of the content of this guide, they assume no responsibility for errors or omissions. Also, you should use this information as you see fit, and at your own risk.

All dealings with third party organisations, i.e. sellers of products, shall be between yourself and the organisation and, in the unlikely event of a problem, shall be dealt with between yourself and the third party.

Other Ideas from Pergolaplans4free.co.uk

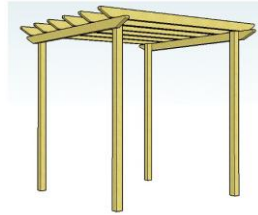
Free Plans



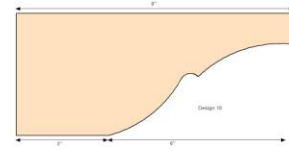
[Pergola Plans](#)



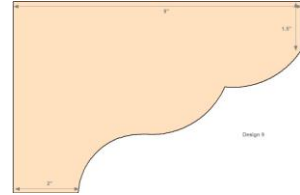
[Simple Pergola Plans Design 1](#)



[Simple Pergola Plans Design 2](#)



[4" Pergola Rafter Template](#)



[6" Pergola Rafter Template](#)

Other Plans



[Corner Pergola](#)



[Attached Lean-to Pergola Plans](#)



[Pergola Arch and Arbour Plans](#)



[Asian Pergola Plans](#)



[Hexagonal Pergola Plans](#)

All the pergola plans come with 18 free rafter tail templates, and are fully adaptable to suit your size requirements and style preferences.

Additional Resources

[Pergola Ideas](#)

[Pergola Climbing Plants](#)

[Pergola Kits](#)

[Pergola Pictures](#)

[Garden Makeover Ideas](#)

[Garden Furniture Ideas](#)

Contents

<i>Tools and Materials</i>	5
<i>Adapting the Plans</i>	6
<i>Making your planter a different shape:</i>	6
<i>Leaving off the end fins:</i>	6
<i>Making your planter taller:</i>	7
<i>Using thicker timber:</i>	8
<i>Filling Your Raised Bed:</i>	8
<i>The Plans</i>	9
<i>Measuring the Site:</i>	9
<i>Preparing the Site:</i>	9
<i>Cutting the boards and notches:</i>	10
<i>Making the half depth boards:</i>	10
<i>Fitting the boards together:</i>	11
<i>Planting Ideas</i>	13

Raised Bed Plans



This raised bed has so many different uses in the garden, and yet is very simple to make. It can be modified easily to create various heights, sizes and styles.

The picture shows it being used as an herb bed, but some lettuce has crept in too! It could contain a range of home-grown vegetables to provide fresh and healthy greens all year round. Why not build two or three of varying heights?

And that's another good reason to have one in your garden: to provide height. It will make a flat space much more interesting, and whatever you use it for, it can be up and running in no time at all.

Small, town gardens often have a limited space in which to grow plants and vegetables. These planters are an ideal way to provide foliage and flowers in a confined space. They are ideal, too, for a rockery bed: just lay some large interesting stones on the top, plant your rockery plants, cover the surface with gravel, and away you go!

If you have a pergola that stands on a solid surface, or grass, use the planters at the sides to give additional planting and interest, using both border and climbing plants to create a wonderful feature. Bedding plants could be used at each post to give a colourful display during the summer months (a smaller planter would probably be needed for this), or use a combination of ivy and, for example, the low growing campanulas. They are all evergreen, and contrast well to give a lovely display.

Here's some additional information on using beautiful [climbing plants](#).

To help with ideas for plants for your raised bed, find a whole range of plants [here](#), with lots of information on height and spread, planting, planting combinations and care.

These are the tools and materials you will need for the project.

Tools and Materials

Tools:

*Tape Measure
Workbench
Spirit Level
Mallet
Hand Saw, Powered Saw or Jigsaw
Builders Square
Chisel*

Optional:

*Extension
RCD Safety Plug
Reciprocating Saw (Corded/Cordless)*

Materials:

*8(6" by 1") timber x (1.2m) lengths, or to suit
Clear preservative, varnish or oil to protect cut ends*

Optional:

Wood stain/preservative



Most of us have a basic set of tools or may be able to borrow them, but if you are just starting out, you can find most of the tools items [here](#). Just click on the link and enter the item name in the search box. Or buy both tools and timber from a local DIY store or builder's yard.

An important note about timber: it must be tantalised/treated to prevent rotting.

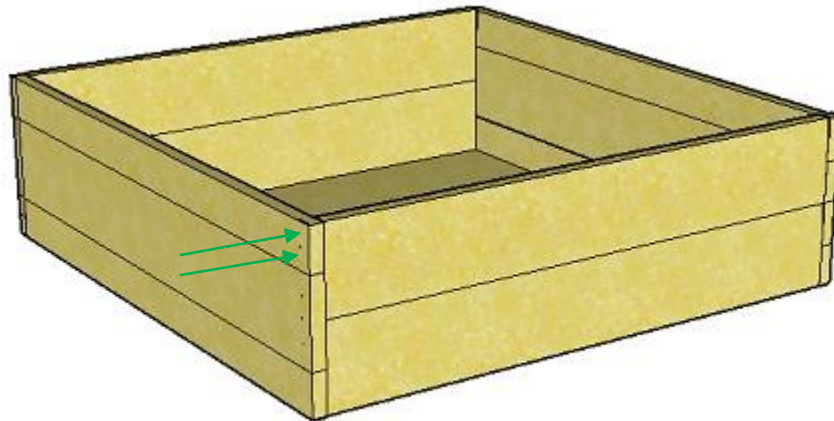
Let's get started then!

Adapting the Plans

Making your planter a different shape:

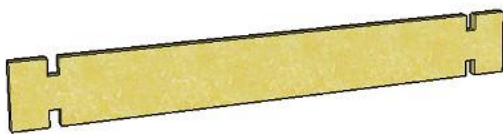
This is explained below in 'Measuring the Site'.

Leaving off the end fins:

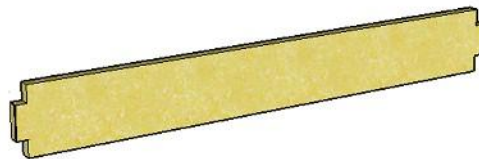


If you prefer to make the planter without the end fins, just cut the notches at the end of the timber, rather than a little way in. Pilot drill holes (using approx. 2mm drill) to stop the wood from splitting as you screw, and screw together at the ends, as you go along.

With fins:



Without fins:



Making your planter taller:

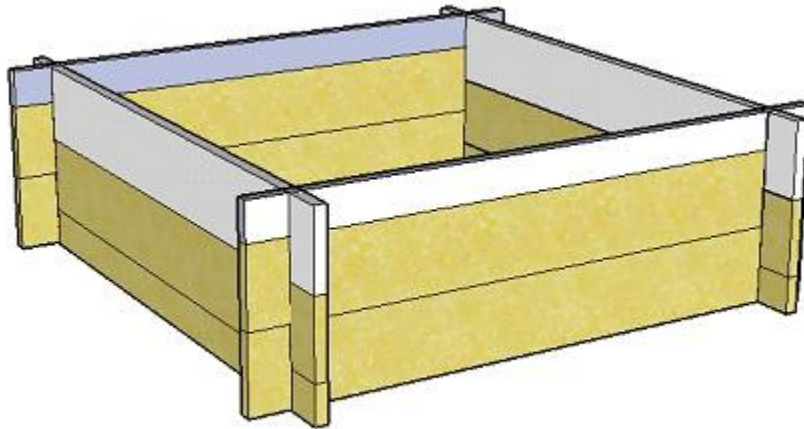
The reasons for having a taller planter are either purely for how it looks, or, more often, to accommodate plants that need more depth for planting.

For example, the 12" depth of a two-layered planter will be a little shallow for plants such as climbing and standard-size roses, clematis (which like to be planted below soil level) and some vegetables (that like a deep root run). Before building your planter, think carefully about what you might be planting in it, and find out about the planting depths of the plants you would like to include.

If you need a taller planter, just keep adding 2 full depth boards for each layer.

You will only ever need 4 half length boards, whatever the height. These last two half depth boards are used to fill in the remaining space at the top.

Here it is with one extra layer.



Notice how the half depth boards are now at the front and back, rather than at the sides.

If you added another layer, the half depth boards would fit onto the sides again. The change of direction will happen with each layer.

Using thicker timber:

This style of planter can easily be built with 1 ½ or 2" wide timber. Just make wider notches (measuring inwards from the 8cm line) to accommodate the extra thickness.

Here is one that is quite a bit smaller but with 2" thick timber.



Notice how the vigorous, evergreen, purple campanula is growing through the lower boards. Line the planter with permeable membrane if you don't want this to happen.

The pelargonium can be replaced next year, or you could go with a different variety of bedding plant, and in the winter maybe use pansies or other varieties of winter bedding.

Filling Your Raised Bed:

Line with membrane if you like: it does keep the soil contained.

Use gravel, old crocks or stones in the bottom to ensure good drainage. And it's preferable to use a good amount of grit mixed in with the soil to keep it free-draining: as the soil compacts over time, the planter can become waterlogged, so do this to keep your plants healthy and happy.

The Plans

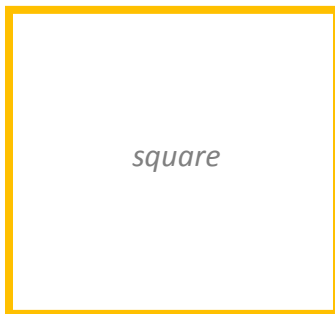
Measuring the Site:

Before you begin, you will need to measure the length and width that you would like your planter to be.

For the example, I have used both length and width measurements of 1.200m, giving a square planter, but you could have these measurements any size you wish.

You will need 6 full depth boards and 4 half depth boards of the same length to make a square planter.

If you are having a shorter width measurement, you will need 4 of the full depth boards of longer length, and 2 of the full depth boards and 4 of the half depth boards of shorter length. (The half depth boards always go at the side).



6 full depth boards

4 half depth boards



4 full depth longer boards

2 full depth shorter boards

4 half depth shorter boards

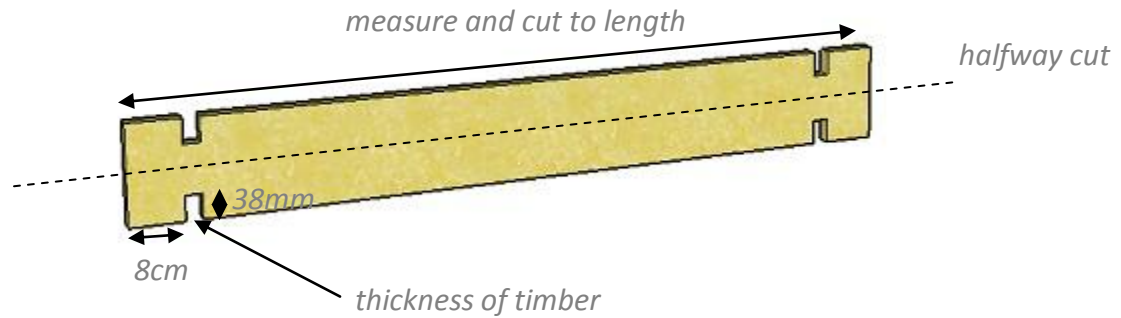
Preparing the Site:

Although it's not absolutely necessary, it's a good idea to place something in the ground, where the boards are going to sit, to protect them from sitting in damp conditions. This could simply be a 2" wide bed of gravel. Use your spirit level to make sure this base is level.

If you are building on a hard surface, for example, a patio, this won't be necessary. You can line the planter with close knit membrane, if you wish, to prevent soil washing onto your patio. Make sure there is sufficient drainage to prevent water-logging and rotting of your plants and planter.

Cutting the boards and notches:

Cut all 8 boards to length/width.



Now we need to cut the notches. They measure $\frac{1}{4}$ of the depth of the board.

For a 150mm (6") deep board, the notches will be 38mm (1 ½ ") at top and bottom, and 8cm (about 3") in from the edge.

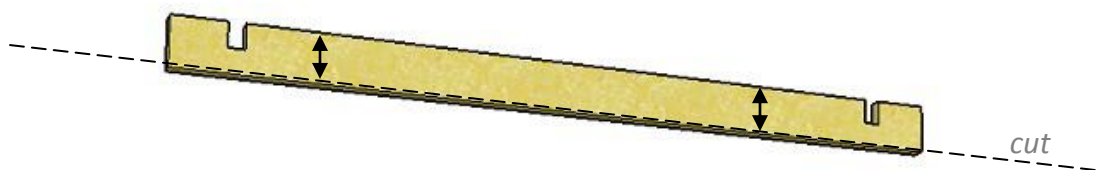
Mark the 8cm marks on the side of the board. Now measure the exact thickness of the timber, and mark the other side of the notch.

Use your builder's square to mark down the board to 38mm, join the lines, cut along the vertical lines with a saw, and then chisel out the notch.

Do this for all 8 boards.

Making the half depth boards:

Now take 2 of these notched boards and cut them in half lengthways. Do this accurately by measuring 75mm at two points along the length. Check that the distances are exactly equal before you cut. You don't want a wonky planter, with soil escaping through the gaps!

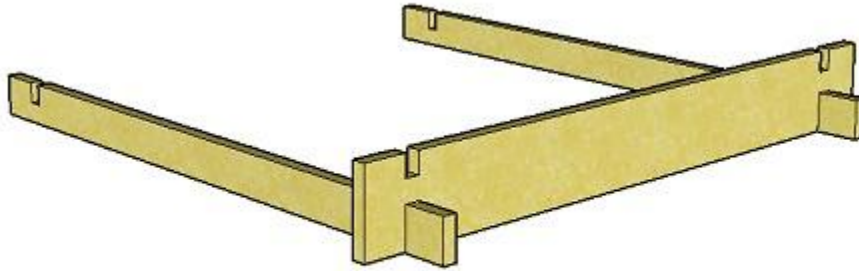


This is what each of these half depth boards should look like.

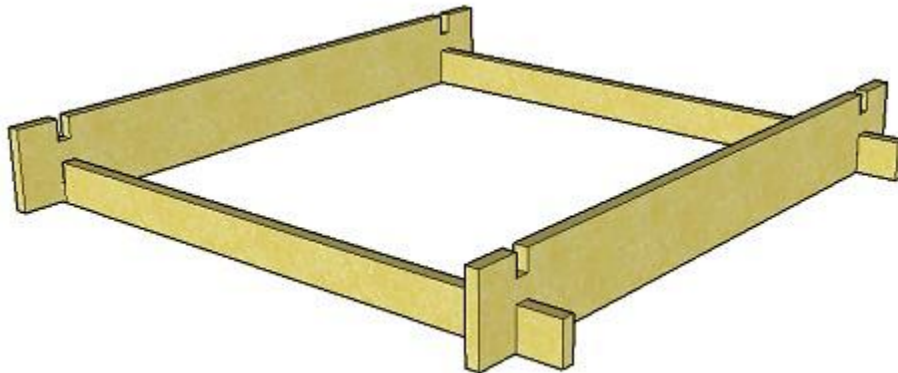
Fitting the boards together:

The hard job is done. Now the fun part begins: fitting it all together!

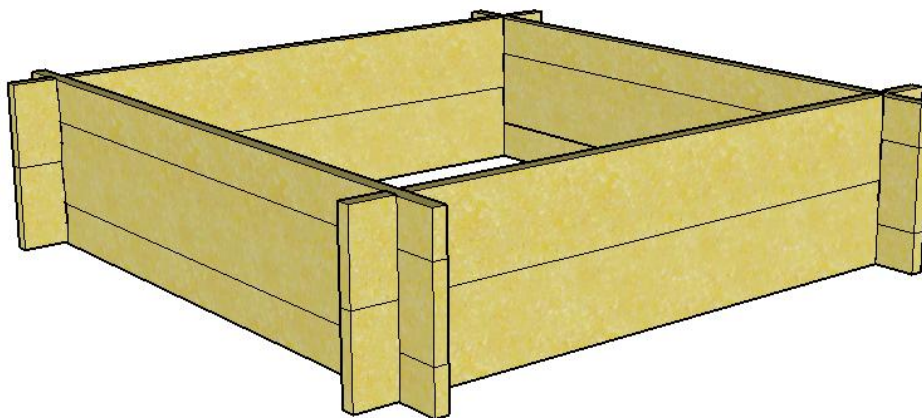
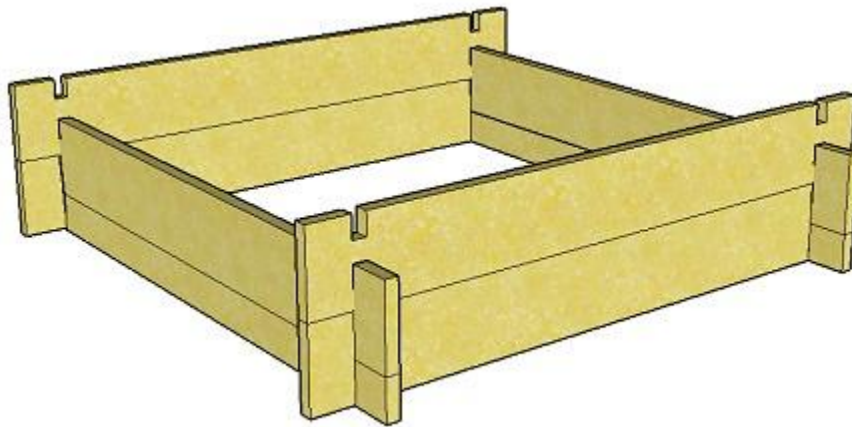
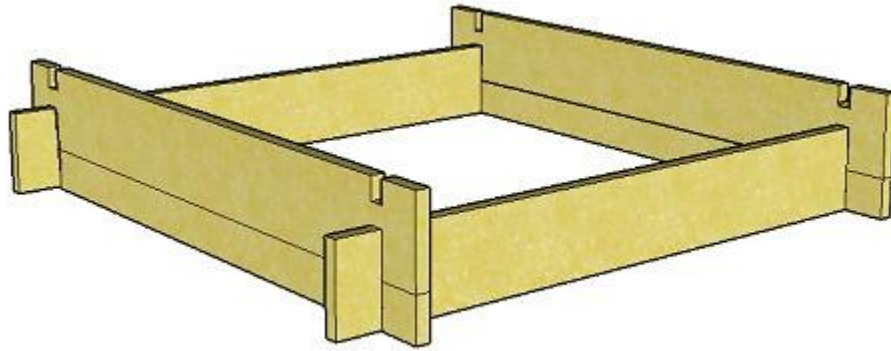
Take 2 of the half depth boards and place them at the sides. Secure together with the first full depth board by tapping the notches together with your mallet. Place any piece of wood between your mallet and the planter board to prevent the mallet marking the timber.



Secure at the back with the other board.



Build the next layers up like this, ending with the two half boards at the side.



All finished. Now fill your raised bed with some wonderful plants. Enjoy!

Planting Ideas

Have fun planting up your raised bed any way you like. Here are some ideas:



Herbs and vegetables



Bold, evergreen feature planting



Exotic feature planting



Colourful bedding plants for a summer display



Heavenly clematis



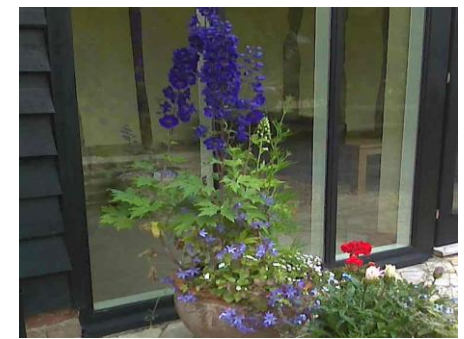
Beautiful climbing roses



Rockery plants



Architectural planting



Combination planting using different types of plants